

# INSTRUCTION MANUAL

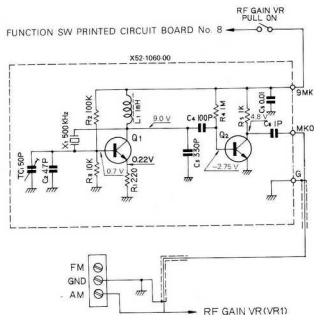
# QR-6MK

## MARKER UNIT: QR-666 OPTION

### FEATURES

The QR-6MK is a marker option for the QR-666 and has advantages as follows.

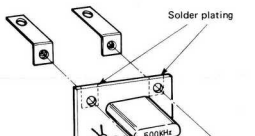
- Since the oscillation frequency is 500 kHz and the dial scale can be checked every 500 kHz, the calibration of band spread scale can be made with ease.
- Since the oscillation and the shaping of waveform are carried out by individual transistors, the stability of circuit is extremely high in spite of compact.
- This unit can be attached to and used together with the QR-666 without modifying the already wired portion.



### MOUNTING OF L-TYPE HARDWARE

Perform solder plating around two mounting holes on the marker unit.

Mount two L-type hardware with two bind screws (Black 3 x 6).

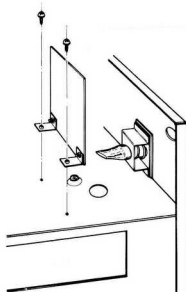


Marker unit should be mounted on chassis with two brazer tap tight screws as follows.

### PARTS LIST

Before assembling the unit, check to make sure that the following parts are included in the your QR-6MK kit.

Parts Name	Parts No.	Q'ty
Instruction manual	B50-1402-00	1
L-type hardware	J21-0047-04	2
Lead wire (Red/White)	011-6921-05	45 cm
Lead wire (Orange)	011-6331-05	25 cm
Coaxial cable 1.5D-XV	060-3001-05	30 cm
Shrink tube (Black)	212-0402-05	4 cm
Bind screw (3 x 6)	N35-3006-15	2
Brazer tap tight screw (3 x 6)	N87-3006-46	2
Marker unit	X52-1060-00	1



## PREPARING AND WIRING

Mount the Marker unit with two brazer tap tight screws (3 × 6).

Prepare a coaxial cable (190 mm).

Strip the cable at both ends (20 mm from each end).

Strip the cover of core by 5 mm after deviding it into an earthing wire and a core.

Prepare two shrink tubes (15 mm).

Put the shrink tubes on both ends of the coaxial cable and connect the tube with heat by using a soldering iron.

Solder the ends of the cable at the position as asterisked (★) below.

### Eyelet MKO ★

- Core of shield wire
- 3P terminal board 1 ★

### Eyelet G ★

- Earthing wire of shield wire
- 3P terminal board 2 ★

The cable should be inserted from parts' side of the Marker unit.

### Eyelet 9MK ★

- Red/White lead wire 240 mm
- RF gain control volume terminal A ★

If the FM option has been installed, this wire should be passed through under portion of the shaft.

### Switch unit eyelet 8 ★

- Orange lead wire 110
- RF gain control volume terminal C ★

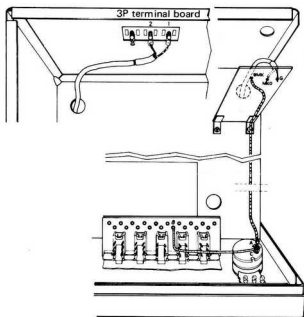
## ADJUSTMENTS

Receive WWV.

Although several WWV such as 2.5, 5, 10, 15, 20 and 25 MHz may be available, the most strongest one must be selected.

Turn on the marker by pulling the shaft of RF gain control knob.

Obtain the so called "Zero beat" between WWV and marker signal by rotating the TC-1 on the Marker unit.



 **KENWOOD**